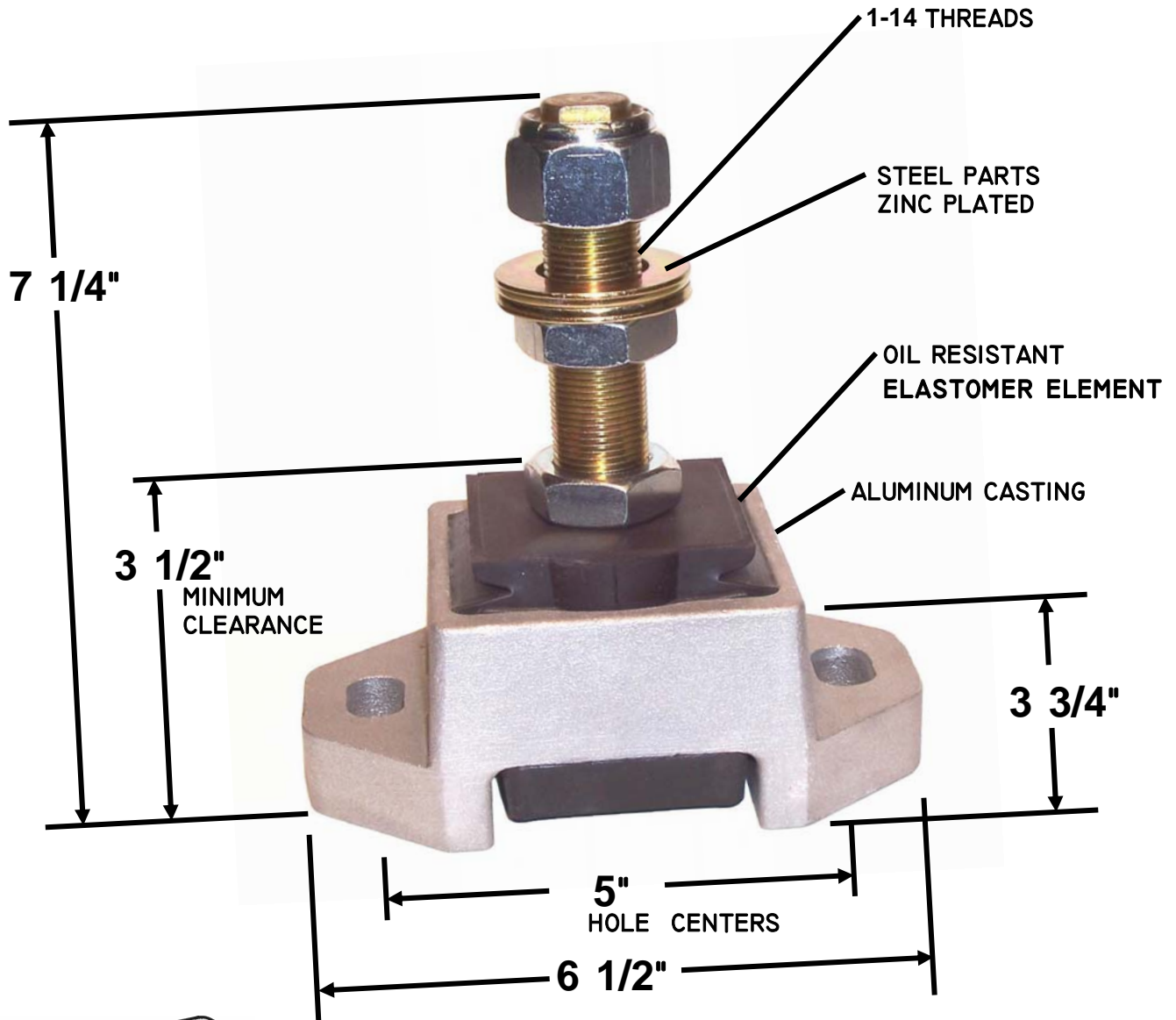


DUAL-FLEX MARINE & INDUSTRIAL ENGINE VIBRATION ISOLATORS DF-9106



Manufactured in U.S.A.

BUSHINGS, INC.

1967 Rochester Industrial Drive
Rochester Hills, Michigan 48309-3340
Phone:(248)650-0603 Fax:(248)650-0606
www.bushingsinc.com



ISO 9001
Certified

DF-9106

The DF-9106 Engine Isolator Mount is specifically designed for In-Line Six Cylinder Diesel configurations in the 300 - 485 Horsepower range. This mount is a proven design developed to absorb the angular prop thrust loads exerted at peak torque minimizing forward angular movement as well as side to side movement in rough seas. Features a heavy duty aluminum casting - with durable oil and fuel resistant elastomer element. Low profile mount - requires only 3 1/2" minimum clearance from base to top of leveling nut. Mount comes complete - furnished with three nuts: leveling, locking and full secondary lock, plus two washers. Easy installation with full 1" threaded stud for vertical height adjustment, and aluminum base cast with 1/2" slotted mounting holes for 1/2" bolts or lag screws on 5" centers. Studs, nuts and washers zinc plated to resist corrosion.

SUGGESTED MOUNTINGS

COMBINED ENGINE/TRANSMISSION WEIGHT	4 POINT MOUNTINGS
1,800 to 2,400 lbs.	DF-9106

(Direct replacement for Cummins "C" Series, and Caterpillar 3126 mounts)