

# DORADO - Horizontal Windlass

500W / 800W



Stern windlass support, SS316, with roller & flange



Code....72204

### Main features

- Marine aluminium anodised body
- Manual chain release
- Rope chain management by the spring load arm
- Heavy duty rated IP66 electric motor
- Automatic free fall available as option

### Compatible Gypsies



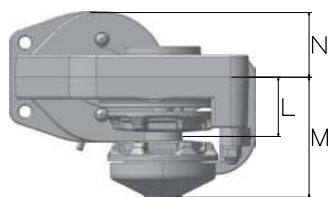
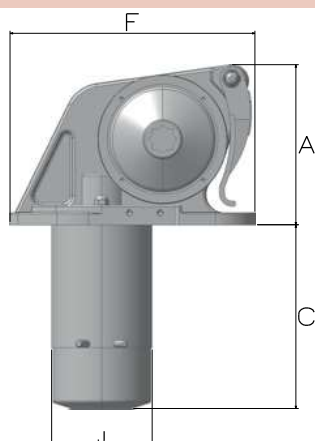
Code	Gypsy Size
630974	6 mm, ISO 4565 / DIN 766
630984	7mm, ISO 4565
631003	8 mm, ISO 4565 / DIN 766

Construction	Anodised Aluminium	
	500 W	800 W
Motor size	12	12
Power Supply (V)	12	12
Maximum Pull (kg)	630	900
Working load (kg)	95	125
Amps at Working Load (A)	65	80
Line Speed at Working Load (m/min)	18	20
Max Line Speed (m/min)	24	25
Net Weight Low Profile (kg)	10	11
Circuit Breaker (available separatly)	187331	187332
Control Box	Included in package	

DORADO			Type	Code	Code
Low Profile	6 mm, ISO 4565	10-12 mm, 3-strand	Port	409568	600048
	8 mm, ISO 4565 / DIN 766	12 mm, 3-strand	Port	*	409569

\*Non-standard configuration optional gypsies can be supplied separately. Please refer to compatible gypsies table

### Dimensions in mm



Model	A	C	F	J	L	M	N
500W	130	152	200	Ø80	48	98	53
800W	130	164	200	Ø80	48	98	53

### Optional Accessories

- Foot Switch
- Control Switch
- Circuit Breaker
- Chain Counter
- Hand Held Control
- Radio Control



Maintenance Kit for DORADO

Code....72047

Please refer to accessories section for control and installation products (see pages 52-61)