

# FALKON - Horizontal Windlass

1700W



### Main features


- Marine aluminium anodised body
- Independent Gypsy and drum operation
- Manual chain release
- Manual override
- Heavy duty rated IP66 electric motor



### Compatible Gypsies

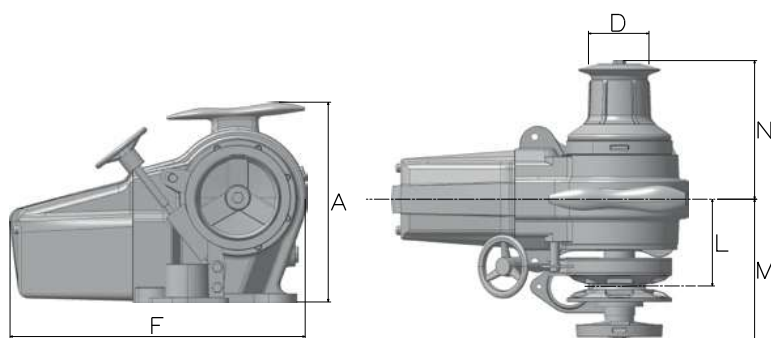
Code	Gypsy Size
630996	8 mm, ISO 4565 / DIN 766
631132	10 mm, / DIN 766
631022	10 mm, ISO 4565
631031	12mm, ISO 4565 / 13mm, DIN 766
631050	13mm, / DIN 764
631059	14mm
631033	1/2" BBB
631036	1/2" G40
631124	3/8" G40
631129	5/16" HT
630992	7/16" HT

Construction	Anodised Aluminium	
Motor size	1700 W	
Power Supply (V)	12	24
Maximum Pull (kg)	1700	1800
Working load (kg)	215	225
Amps at Working Load (A)	210	100
Line Speed at Working Load (m/min)	14	15
Max Line Speed (m/min)	33	33
Net Weight with Drum (kg)	55	55
Circuit Breaker (available separately)	187334	187332
Control Box	Included in package	

FALKON		Code	Code
With drum	10 mm, DIN 766	600063	600067
	10 mm, ISO 4565	220293	418511
	12mm ISO 4565 / 13mm DIN 766	404732	404733

\*Non-standard configuration optional gypsies can be supplied separately.  
Please refer to compatible gypsies table

### Dimensions in mm



Model	A	D	F	L	M	N
1700W	340	Ø104	500	147	240	235

### Optional Accessories

- Foot Switch
- Control Switch
- Circuit Breaker
- Chain Counter
- Hand Held Control
- Radio Control
- Chain Stopper



**Maintenance Kit**  
for FALKON

Code....72051

Please refer to accessories section for control and installation products (see pages 49-56)