



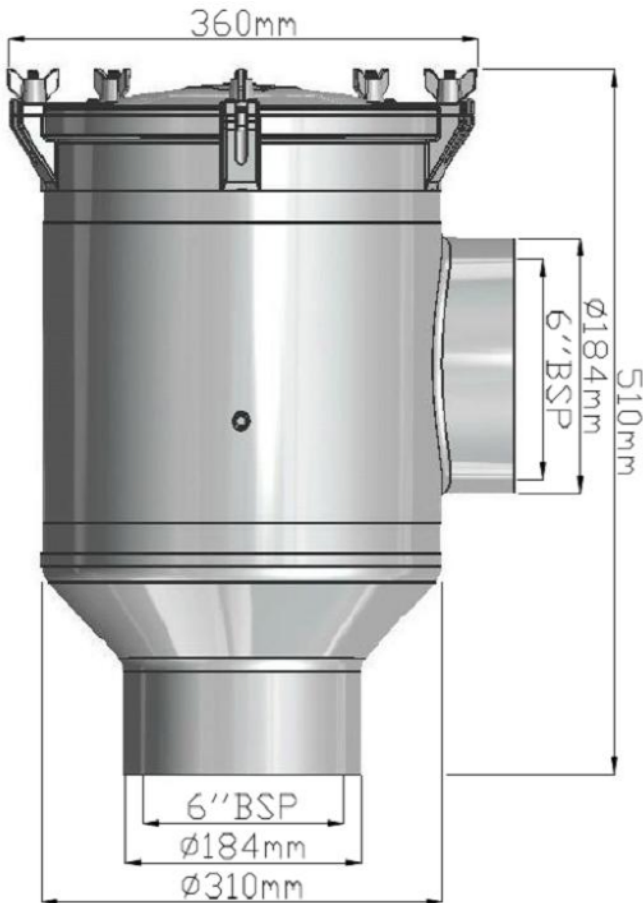
The Right Connection®



ARCTIC STEEL

STRENGTH PERFORMANCE RELIABILITY

6.0" Bottom In Side Out (BISO)



- Vertical female inlet, side female outlet.
- BSP or NPT thread.
- Electro-polished AISI 2205 Cast Stainless Steel Body.
- Solid electro-polished stainless steel lid.
- Secured by 5 Stainless Steel wing nuts for safe, quick and easy access.
- Swing down eye bolts eliminate need to remove nuts.
- Full height, 2mm perforated 316 stainless steel basket.
- Durable silicone gasket.
- Anode connection point to combat electrolysis.

| Strainer Solid Lid Weight Kg | Strainer Clear Lid Weight Kg | Flow Rate 0.1 bar L/Min | Flow Rate 1 Bar L/Min |
|---------------------------------|---------------------------------|----------------------------|--------------------------|
| 30.3kg | N/A | 3184 | 10289 |