

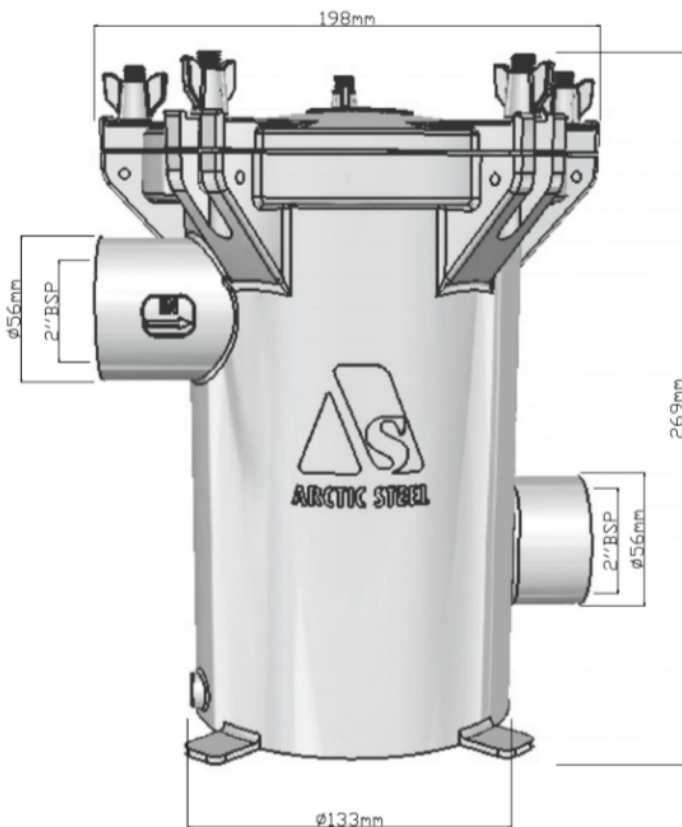


The Right Connection®



STRENGTH PERFORMANCE RELIABILITY

2.0" Side In Side Out (SISO)



- Free standing, base mounted.
- Offset side female inlet, side female outlet.
- BSP or NPT thread.
- Electro-polished AISI 2205 Cast Stainless Steel Body.
- Solid electro-polished stainless steel lid or
- Clear 8mm poly carbonate lid option available.
- Secured by 5 Stainless Steel wing nuts for safe, quick and easy access.
- Swing down eye bolts eliminate need to remove nuts.
- Full height, high impact resistant ABS basket as standard
- Optional 316 SS 2mm Perf basket also available.
- Durable silicone gasket.
- Anode connection point to combat electrolysis.
- Drain plug.
- Designed for applications that require a header tank or mounting above the waterline.

Strainer Solid Lid Weight Kg	Strainer Clear Lid Weight Kg	Flow Rate 0.1 bar L/Min	Flow Rate 1 Bar L/Min
7.25kg	6.7kg	336	1066